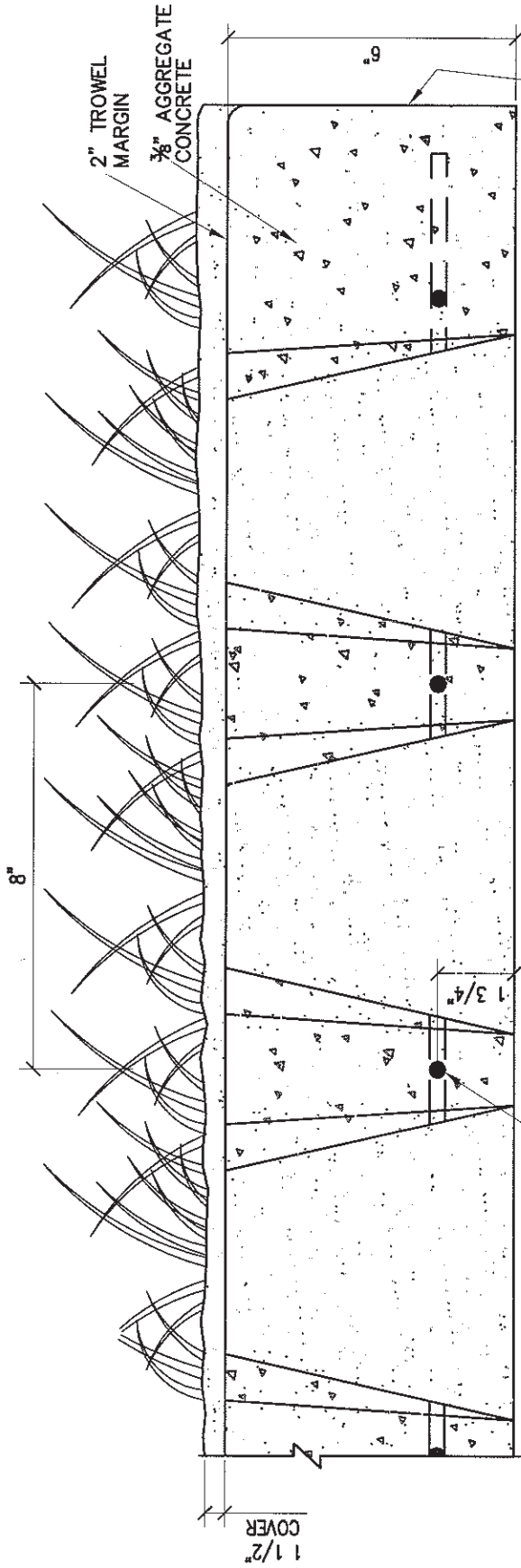
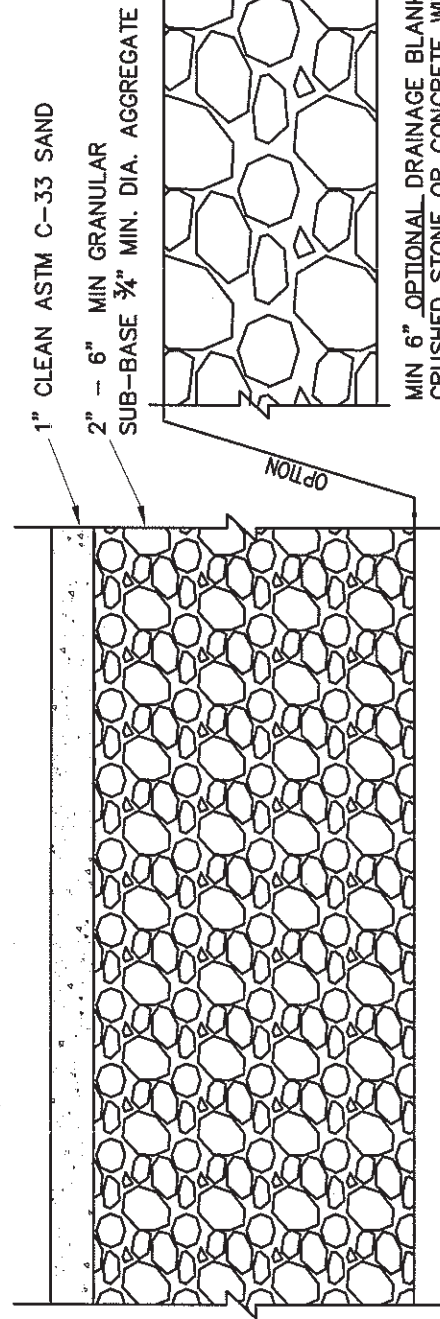


US STANDARD GC2 FULLY GRASSED SYSTEM



CONSULT THE TECHNICAL BULLETIN FOR INFORMATION ON REQUIRED REINFORCEMENT.

STANDARD EDGE DETAIL
EXPANSION JOINT AT MAX. 50 FT.
CENTERS TO BE BITUMEN
IMPREGNATED FIBER BOARD



CROSS SECTION OF BASE

MIN 6" OPTIONAL DRAINAGE BLANKET OF CLEAN
CRUSHED STONE OR CONCRETE WITH NON-WOVEN
GEO-TEXTILE TO FORMATION AND NEEDLE-PUNCHED
GEO-TEXTILE COVER, LAID LEVEL FOR
SUB-GRADE FILTRATION OR FOR
RAINWATER HARVESTING